

REFRIGERATOR MANUFACTURER
Turbo air
 more durable, efficient, beautiful

4184 E. Conant St.
 Long Beach, CA 90808
 Tel. 310-900-1000
 Fax. 310-900-1077
www.turboairinc.com

| | |
|-----------------|-------|
| Project : | |
| Model # : | |
| Item # : | Qty : |
| Available W/H : | |
| Approval : | |

Swing Door Merchandisers

Glass Door Merchandisers
 Refrigerators

FEATURES & BENEFITS

Hydrocarbon refrigerants (R-290)

With innovative and eco-friendly technology, Turbo Air brings you hydrocarbon refrigerators designed to meet the new standards of the EPA and DOE in 2017. Hydrocarbon refrigerants do not deplete the ozone layer and have very low contribution to global warming (ODP-0, GWP-3).

Energy conserving fan control

Utilizing algorithmic air circulation for optimal temperature levels, our innovative fan control system conserves energy by at least 15% and increases compressor life by up to 30%.

Hot gas condensate system

Through Turbo Air's creative innovation, the condensate system surfaces have been specially treated to resist corrosion. This not only increases efficiency without the risk of refrigerant leakage from corrosion, but also prevents the overflow of condensate water.

LED advertising panel

LED lighting offers 5 times longer lasting life than fluorescents and conserves energy as well.

Double pane glass doors with Low-E glass

Energy saving double pane glass doors are equipped with Low-emissivity glass, which reduces outer heat gain and decreases energy consumption. It enhances energy efficiency and minimizes condensation. Lightweight door construction also reduces door maintenance and bushing wear, which in turn facilitates smoother door opening.

High-density polyurethane insulation

The entire cabinet structure and solid doors are foamed-in-place using high density, CFC free polyurethane insulation.

Adjustable, heavy duty, PE (polyethylene) coated wire shelves

LED lighting interior

Refrigerator holds 33°F ~ 38°F for the best in beverage preservation

Model : TGM-72RS-N
TGM-72RSB-N



| Model | Swing Door | CU./FT. | #of Shelves | HP | AMPS | Crated Weight (lbs.) | L x D x H (inches) |
|---------------|------------|---------|-------------|-----|------|----------------------|--------------------|
| TGM-72RS(B)-N | 3 | 59.5 | 12 | 1/2 | 6.8 | 733 | 78 x 32 x 79 1/4 |

Model : TGM-72RS(B)-N

| ELECTRICAL DATA | |
|----------------------------------|-----------------|
| Voltage | 115/60/1 |
| Plug Type | Ⓜ NEMA 5-15P |
| Full Load Amperes | 6.8 |
| Compressor HP | 1/2 |
| Cord Length (ft.) | 7 |
| Refrigerant | R-290 |
| DIMENSIONAL DATA | |
| # of Doors | 3 |
| Net Capacity (cu. ft.) | 59.59 |
| Ext. Length Overall (in.) | 78 (1981mm) |
| Ext. Depth Overall (in.)* | 32 (813mm) |
| Ext. Height Overall (in.) | 79 1/4 (2013mm) |
| Int. Length Overall (in.) | 74 3/8 (1895mm) |
| Int. Depth Overall (in.) | 23 1/4 (590mm) |
| Int. Height Overall (in.) | 61 5/8 (1539mm) |
| Net Weight (lbs.) | 705 |
| Gross Weight (lbs.) | 733 |
| # of Shelves | 12 |
| Shelf Size (L x D) (in.) | 23 1/2 x 23 |
| Bottle Capacity (Full/Load Line) | 840 / 672 |

Design and specifications subject to change without notice.
Actual shipping weight may differ due to extra packing materials for product protection.
* Depth does not include 1-3/8" for door handle.

■ **WARRANTY : 2 Year Parts and Labor Warranty**
Additional 3 Year Warranty on Compressor

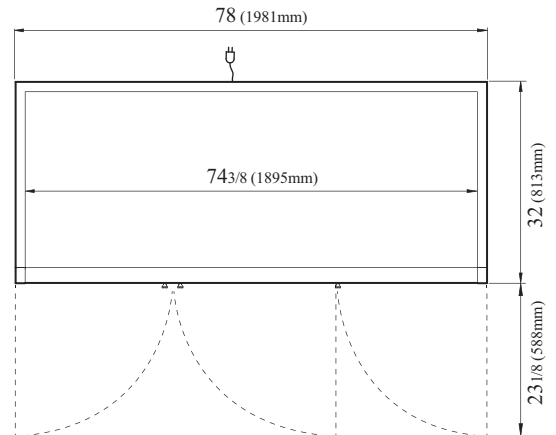
- **Anti-corrosion coated evaporator**
- **White and black color come standard**
- **4" dia. casters are available (optional)**
- **Price tag channel available (optional)**

■ **OPTIONAL ACCESSORIES :**

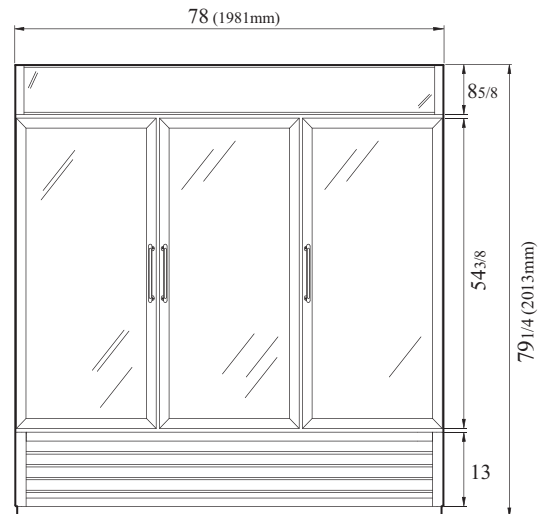
- 4" caster, 1/2" diameter & 13 TPI: G8F6500101 (non-brake), G8F6500201 (w/ brake)
- Additional PE coated wire shelf: 30278K0101
- Price tag channel: P0122K6000 (18 1/4"L)

PLAN VIEW

(unit : inch)



PLAN VIEW



FRONT VIEW

Ver.20171019



- Turbo Air : 800-627-0032
- GK : 800-500-3519
- Warranty : 800-381-7770
- AC : 888-900-1002

