



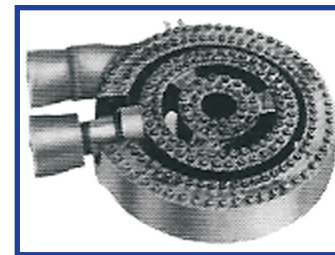
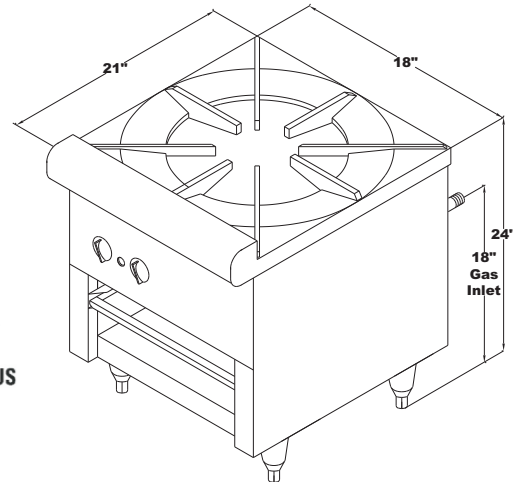
Stratus Stock Pot Ranges provide as standard, many of the optional upgrades normally offered at a premium on other Stock Pot lines. Constructed for durability they are made of heavy gage steel with a sturdy chassis design. The three ring burner provides a total of 90,000 BTU/hr output for high performance cooking in a wide variety of applications. For quick clean ups, a full width removable drip tray is standard. The top grate has a gradual slope to reduce spill over and will accommodate any size pot. Also available in 18" height, double deep design and double wide design.



Model: SSP-18

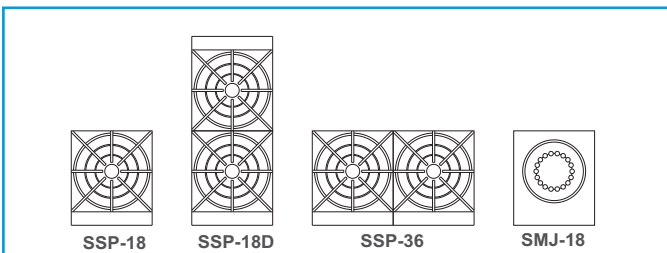
### STANDARD FEATURES

- Stainless steel front, sides and cabinet.
- Heavy duty cast iron top grates are easily removable for cleaning. Inner bowl slope design reduces spill over.
- Three ring burner with two adjustable gas valves, provides flexibility and 90,000 BTU/hr high performance cooking.
- Burners are equipped with two continuous pilots for instant ignition.
- Sturdy stainless cabinet base provides additional storage.
- Chrome plated 6" legs with adjustable feet are standard.
- Full width removable crumb pan.
- One year parts and labor warranty.
- U.L. gas and U.L. sanitation certified design.



**3-Ring Burner**

Gas: 3/4" NPT rear gas connection, specify type of gas and altitude if over 2,000 feet.  
 Pressure: 5" W.C. - Natural Gas  
 10" W.C. - Propane Gas  
 Note: Install the pressure regulator supplied with the appliance, at the inlet of the gas line.



Model	Description	Length	Depth	Height	Weight	Total BTU's	List Price
SSP-18	18" Stock Pot	18"	21"	24"	150 lbs.	90,000	\$926.25
SSP-18D	18" Double depth Stock Pot	18"	42"	24"	250 lbs.	180,000	\$2,327.50
SSP-36	36" Double width Stock Pot	36"	21"	24"	250 lbs.	180,000	\$2,327.50
SMJ-13	18" Mandarin Jet	18"	21"	24"	135 lbs.	120,000	\$1,045.00