



# COMBI CK-401

2 in 1: large production veg prep machine (650 kg/h) with 5 lt. / 5 1/4 qt. cutter bowl



## SALES DESCRIPTION

It consists of a variable speed motor block with a large production hopper and a 5 litre / 5 1/4 qt. food processor bowl complete with a hub with serrated blades.

## FEATURES AND BENEFITS

As vegetable preparation machine, its lateral blade distributes products in the hopper, cutting and distributing full products like cabbage. It is supplied complete with an optional core drill for the same purpose. The hopper is equipped with a high positioned ejector disc allowing to eject a bigger product quantity.

Discs are not included\*.

- ✓ User-friendly, waterproof led-lit control panel.
- ✓ Hopper, lid and bowl easily detachable for interchanging or cleaning.
- ✓ Automatic hopper detection.

### AS VEGETABLE PREPARATION MACHINE:

- ✓ Machine and discs specially designed to obtain the perfect cut.
- ✓ Adjustable speed (5 positions).
- ✓ Ergonomic design.
- ✓ Central blade to slice open larger food products: maximum efficiency.
- ✓ Lateral shootout: needs less counter space and allows a more natural workflow (left to right).
- ✓ High profile ejection disc for larger output.

### AS FOOD PROCESSOR

- ✓ Adjustable speed (10 positions), programmable by time and pulse switch.
- ✓ 5 qt. stainless steel food processor bowl.
- ✓ Polycarbonate lid complete with scraper that allows consistent and homogeneous mixing and avoids product overheating.
- ✓ Optional flat blade set for raw meat and fibrous products.
- ✓ Optional perforated blade set specially designed to beat and mix.

## INCLUDES

- ✓ Variable speed motor block.
- ✓ Large capacity hopper.
- ✓ Food processor bowl complete with hub with serrated blades.

DYNAMIC PREPARATION  
FOOD PROCESSOR / VEG PREP COMBI MACHINES



**sammic** | www.sammic.com  
Food Service Equipment Manufacturer

Polígono Basarte, 1. phone +34 943 15 72 36  
20720 Azkoitia, Spain sales@sammic.com



Project	Date
Item	Qty
Approved	

product sheet updated 24/04/2018



# COMBI CK-401

2 in 1: large production veg prep machine (650 kg/h) with 5 lt. / 5 1/4 qt. cutter bowl



## SPECIFICATIONS

Total loading: 1500 W

### As vegetable preparation machine

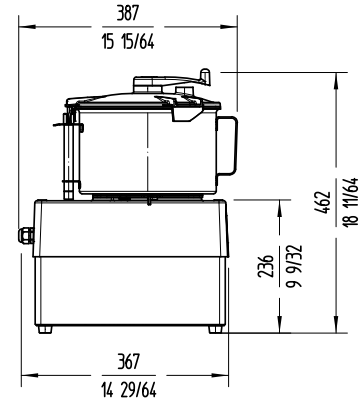
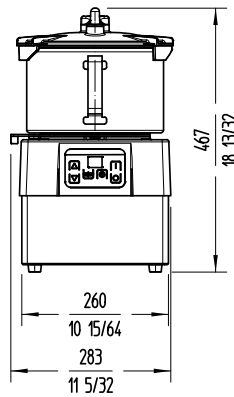
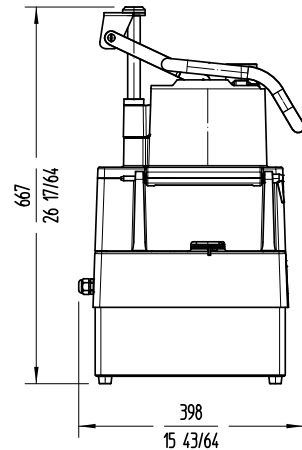
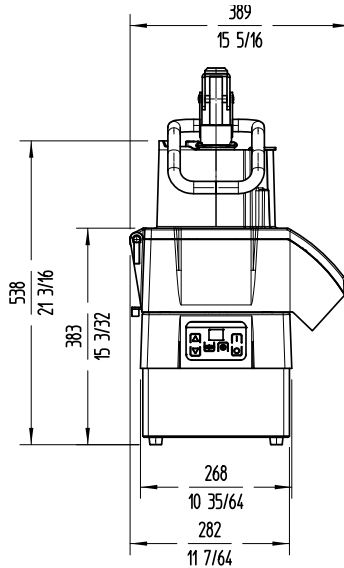
- Hourly production: 200 Kg - 650 Kg
- Inlet opening: 286 cm<sup>2</sup>
- Disc diameter: 205 mm
- Speeds as veg. slicer (positions): 5 (365 rpm - 1000 rpm)
- External dimensions (WxDxH): 389 mm x 400 mm x 767 mm
- Net weight: 30 Kg

### As cutter

- Bowl capacity: 5 l
- Speeds as cutter (positions): 10 (365 rpm - 3000 rpm)
- External dimensions (WxDxH): 283 mm x 390 mm x 468 mm
- Net weight (Cutter): 23 Kg.
- Noise level (1m.): <70 dB(A)
- Background noise: 32 dB(A)

### Crated dimensions

420 x 420 x 690 mm



## AVAILABLE MODELS

1050330 Combi vegetable prep.-cutter CK-401 230/50-60/1

\* Ask for special versions availability

## ACCESSORIES

- FC Slicing Disc
- FCC Curved Slicing Discs
- FCO Rippled Slicing Discs
- FF Chipping Grids
- FM Dicing Grids
- FFC Chipping Grids
- FMC Dicing Grids
- FCE Julienne Discs
- FR Shredding & Grating Discs
- Long vegetable attachment
- Disc and Grid Holder Device

DYNAMIC PREPARATION  
FOOD PROCESSOR / VEG PREP COMBI MACHINES

**sammic** | www.sammic.com  
Food Service Equipment Manufacturer

Polígono Basarte, 1. phone +34 943 15 72 36  
20720 Azkoitia, Spain sales@sammic.com



Project	Date
Item	Qty
Approved	

product sheet  
updated 24/04/2018