



# COMBI CK-301

2 in 1: veg prep machine (450 kg/h) with 5 lt. / 5 1/4 qt. cutter bowl



DYNAMIC PREPARATION  
FOOD PROCESSOR / VEG PREP COMBI MACHINES



## SALES DESCRIPTION

It consists of a variable speed motor block with a regular hopper and a 5 litre / 5 1/4 qt. food processor bowl complete with a hub with serrated blades.

## FEATURES AND BENEFITS

As vegetable preparation machine, its ergonomic design allows to cut the product in just one movement. As cutter, it is equipped with a 5-litre / 5 1/4 qt. bowl with a scraper and hub with serrated blades.

Discs are not included\*.

- ✓ User-friendly, waterproof led-lit control panel.
- ✓ Hopper, lid and bowl easily detachable for interchanging or cleaning.

### AS VEGETABLE PREPARATION MACHINE:

- ✓ Machine and discs specially designed to obtain the perfect cut.
- ✓ Adjustable speed (5 positions).
- ✓ Argonomic design: large production with only one arm motion.
- ✓ Lateral shootout: allows operation in reduced spaces and directs the product avoiding spray.

### AS FOOD PROCESSOR

- ✓ Adjustable speed (10 positions), programmable by time and pulse switch.
- ✓ 5 qt. stainless steel food processor bowl.
- ✓ Polycarbonate lid complete with scraper that allows consistent and homogeneous mixing and avoids product overheating.
- ✓ Optional flat blade set for raw meat and fibrous products.
- ✓ Optional perforated blade set specially designed to beat and mix.

## INCLUDES

- ✓ Variable speed motor block.
- ✓ Regular hopper.
- ✓ Food processor bowl complete with hub with serrated blades.



**sammic** | [www.sammic.com](http://www.sammic.com)  
Food Service Equipment Manufacturer

Polígono Basarte, 1. phone +34 943 15 72 36  
20720 Azkoitia, Spain [sales@sammic.com](mailto:sales@sammic.com)



Project	Date
Item	Qty
Approved	

product sheet  
updated 24/04/2018



# COMBI CK-301

2 in 1: veg prep machine (450 kg/h) with 5 lt. / 5 1/4 qt. cutter bowl



## SPECIFICATIONS

Total loading: 1500 W

### As vegetable preparation machine

Hourly production: 150 Kg - 450 Kg

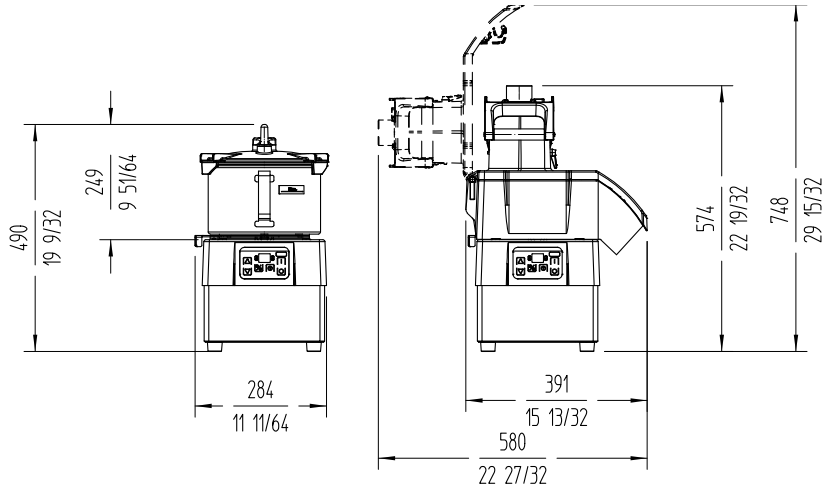
Inlet opening: 136 cm<sup>2</sup>

Disc diameter: 205 mm

Speeds as veg. slicer (positions): 5 (365 rpm - 1000 rpm)

External dimensions (WxDxH): 389 mm x 412 mm x 565 mm

Net weight: 28 Kg



### As cutter

Bowl capacity: 5 l

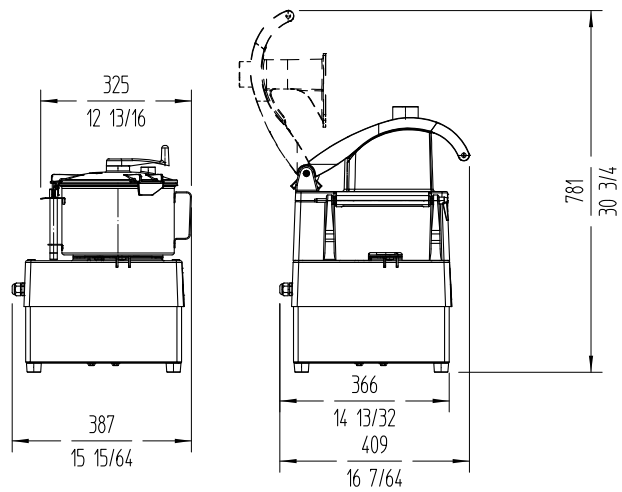
Speeds as cutter (positions): 10 (365 rpm - 3000 rpm)

External dimensions (WxDxH): 283 mm x 390 mm x 468 mm

Net weight (Cutter): 23 Kg.

Noise level (1m.): <70 dB(A)

Background noise: 32 dB(A)



## AVAILABLE MODELS

1050028 Combi vegetable prep.-cutter CK-301 230/50-60/1

\* Ask for special versions availability

## ACCESSORIES

- FC Slicing Disc
- FCC Curved Slicing Discs
- FCO Rippled Slicing Discs
- FF Chipping Grids
- FM Dicing Grids
- FFC Chipping Grids
- FMC Dicing Grids
- FCE Julienne Discs
- FR Shredding & Grating Discs
- Long vegetable attachment
- Disc and Grid Holder Device

DYNAMIC PREPARATION  
FOOD PROCESSOR / VEG PREP COMBI MACHINES

**sammic** | www.sammic.com  
Food Service Equipment Manufacturer

Polígono Basarte, 1. phone +34 943 15 72 36  
20720 Azkoitia, Spain sales@sammic.com



Project	Date
Item	Qty
Approved	

product sheet  
updated 24/04/2018