

**QUALITY CONVEYOR
TOASTERS BY:**



FOODSERVICE EQUIPMENT SPECIALISTS

- ✓ **Simple To Use**
- ✓ **Durable**
- ✓ **Versatile**
- ✓ **Energy Efficient**
- ✓ **Safety**
- ✓ **Productive**
- ✓ **Customer Focused**



**MODEL JT1
SHOWN**

Why BELLECO, Inc.?

- Basic, simple operation
- Durable, Rugged Construction
- Forced Convection Toasting
- 10½" Conveyor Belt
- Inexpensive To Operate
- Energy Efficient Quartz Heaters
- 75% Power Saving Feature
- 24 Hrs/Day, 7 Days/Week Service

JT1 - 1 ½" Product Clearance

120 Volts – Plugs in Anywhere

- ~ Up to 350 Slices or Bun Halves/hr*
- ~ Cool Touch Exterior
- ~ Safe For Self Serve Operation
- ~ 10½" Wide Conveyor

JT1-H - 2 ½" Product Clearance

120 Volts – Plugs in Anywhere

- ~ Up to 300 Slices or Bun Halves/hr*
- ~ Cool Touch Exterior
- ~ Safe For Self Serve Operation
- ~ 10½" Wide Conveyor

* For applications requiring greater capacity and versatility,
we recommend using the Belleco JT2 or JT3 toasters.

Perfect For Toasting or Warming...

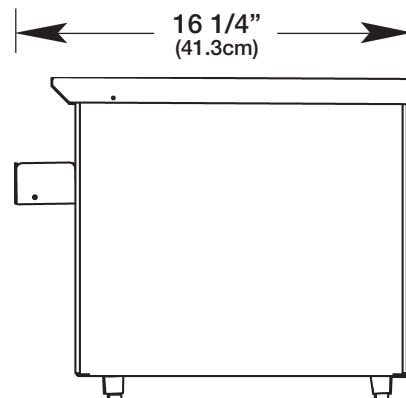
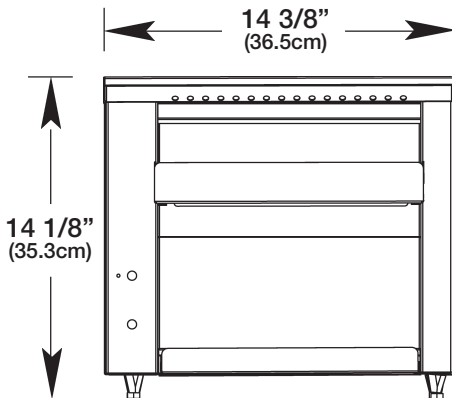
- **Bread**
- **Waffles**
- **Buns**
- **Pita Bread**
- **Rolls**
- **Texas Toast**
- **Bagels**
- **English Muffins**

QUALITY CONVEYOR TOASTERS



FOODSERVICE EQUIPMENT SPECIALISTS

Model JT1 & Model JT1-H



Scale 1" (2.5cm) = 8" (20.0cm) Approx.

CONTROLS: Variable Conveyor Speed Control; Power Saver Switch. On JT1-H, On/Off switches for both top and bottom heaters.

CONSTRUCTION: Chassis 18ga. Stainless Steel, Toaster Interior 20ga. Stainless Steel and 18ga. Aluminized Steel. Units are easy to disassemble for cleaning and service.

ELECTRICAL DATA:

Model	Volts	Hz/ Phase	kW	Amps	Power Supply
JT1 & JT1-H	120	60/1	1.5	12.5	5-15P

For International voltages and frequencies please contact Belleco, Inc.



It is our policy to build equipment that is ETL Listed in the USA and Canada and ETL Sanitation Classified to NSF 4. However, our continued process of product improvements makes it necessary to submit new models to the agencies as they are developed and consequently not all models bear the appropriate agency labels at all times.

Infrared radiant Quartz sheathed heaters are designed for rapid response to electrical changes which results in fast start-ups and maximum efficiency.

INSTALLATION: Counter model; furnished with 1" adjustable legs and 4 foot cord. Units should be located so that the air around the fan motor intake under the toaster, does not contain grease or steam and does not exceed 100°F.

FORCED CONVECTION: Fractional h.p. motor with fan, located in the control box area. Dual-purpose fan forces air around controls and motors. Air is forced between inside and outside chassis sides and cools the exterior panels. Heated air is then forced across the Quartz heaters and conveyor surface which results in increased efficiency and safe operation.

WARRANTY: Two year parts warranty (Quartz heaters excluded) and one year; factory-authorized labor and Quartz sheathed heaters.

SHIPPING DATA:

JT1 & JT1-H 40lbs., 21"W x 19"D x 16"H

FOR TECHNICAL ASSISTANCE IN THE U.S.A.
AND CANADA, CALL TOLL FREE:
1-877-854-8006, 24 HRS/DAY
E-mail: info@bellecocooking.com
OR VISIT OUR WEB SITE:
<http://www.bellecocooking.com>



FOODSERVICE EQUIPMENT SPECIALISTS

P.O. Box 880 Saco, ME / USA 04072
877-854-8006 • FAX (207) 283-8080